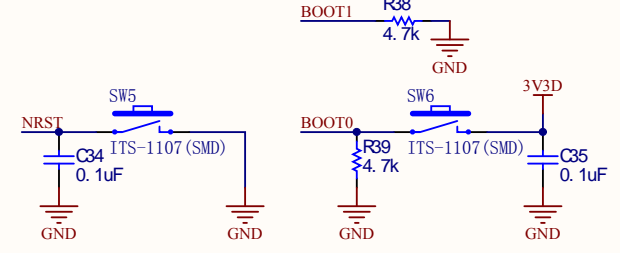
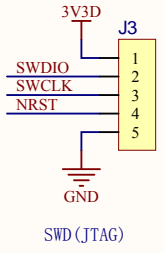
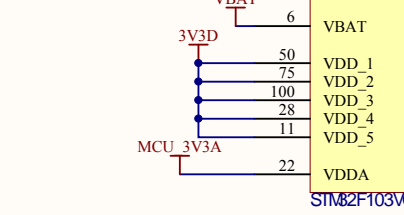
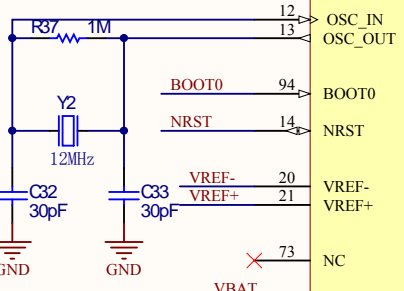
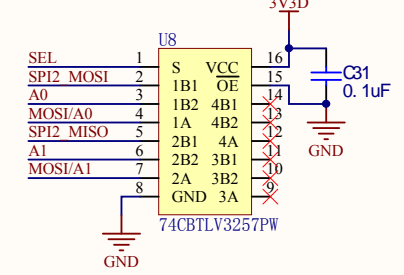
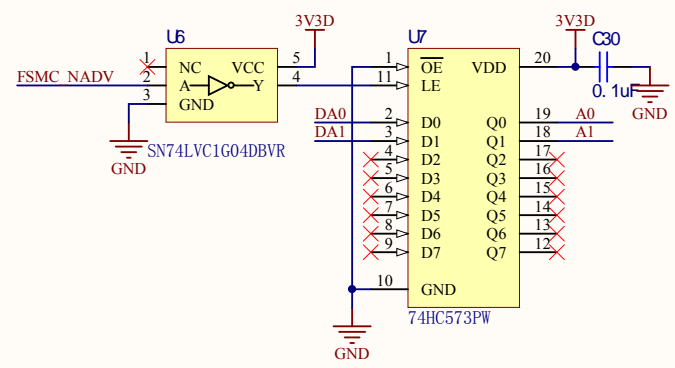
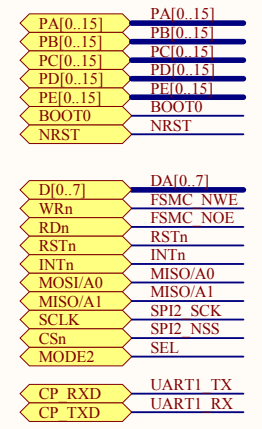
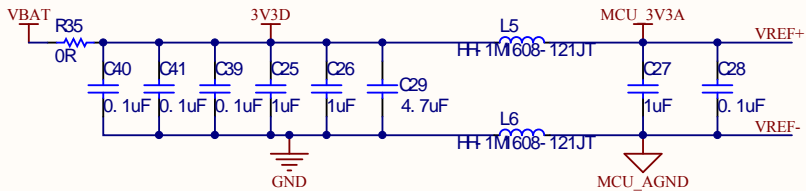
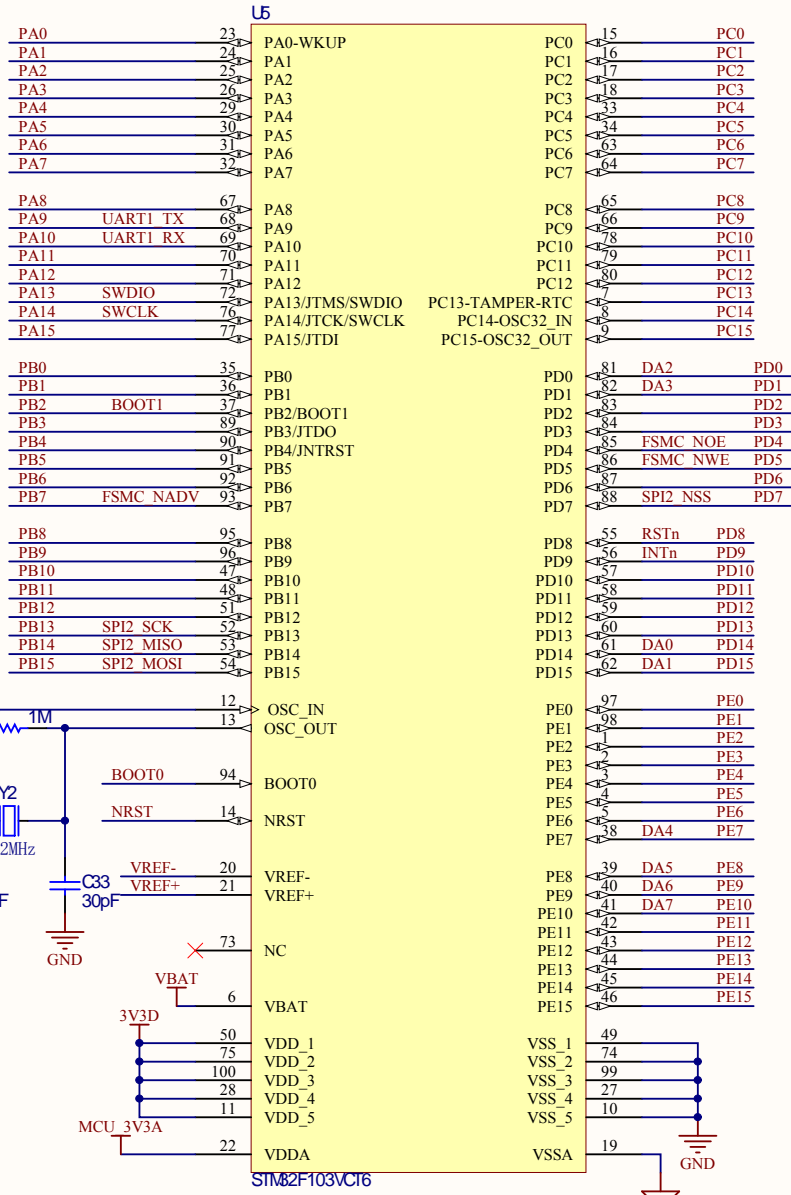
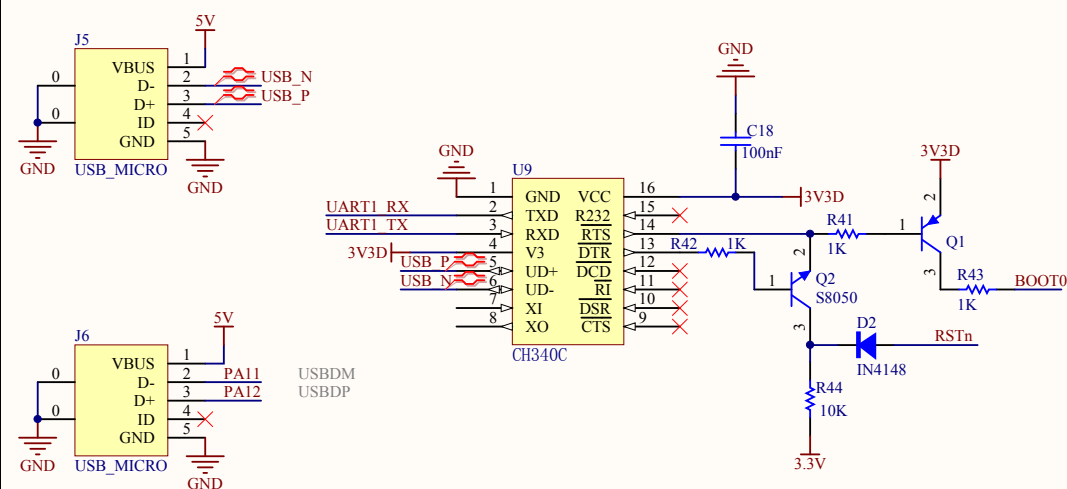


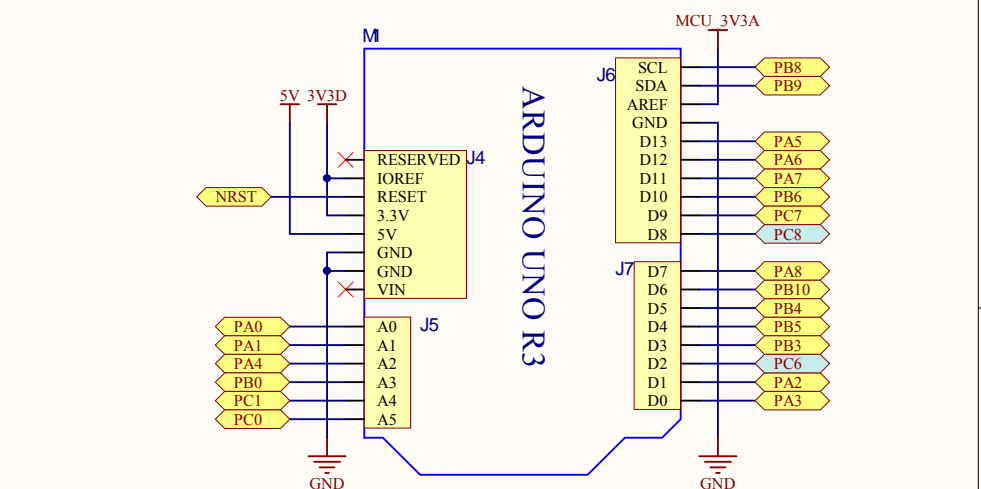
Title		
Size	Number	Revision
A4		
Date:	2018/7/21	Sheet of
File:	Sheet1.SchDoc	Drawn By:



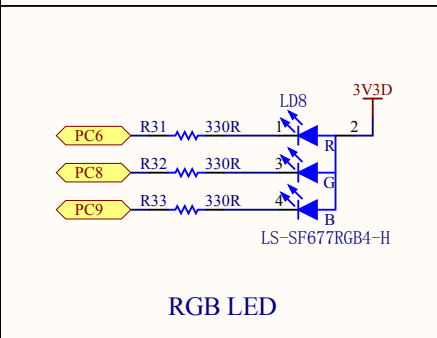
Title		
Size	Number	Revision
A4		
Date:	2018/7/21	Sheet of
File:	Sheet2.SchDoc	Drawn By:



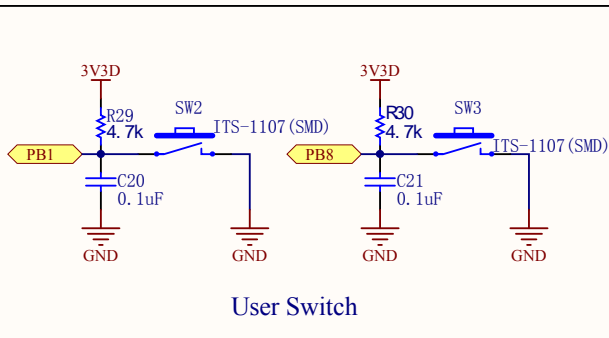
USB to UART



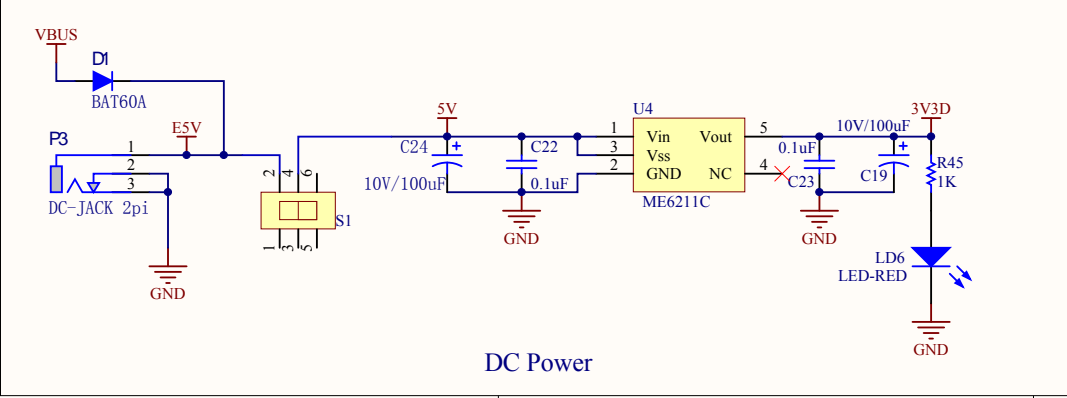
Arduino pin



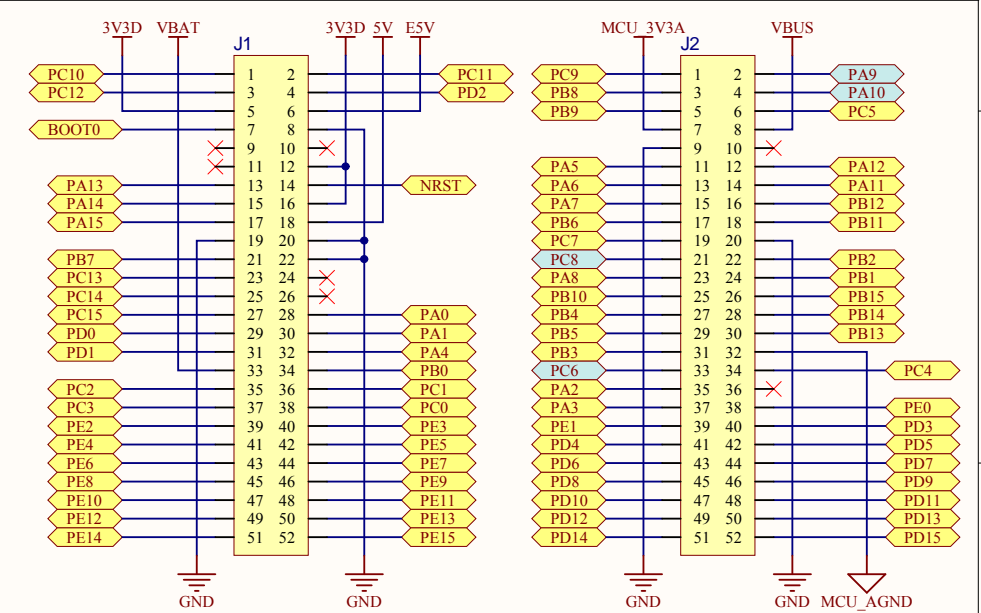
RGB LED



User Switch



DC Power



Pinout

Title		
Size	Number	Revision
A4		
Date:	2018/7/21	Sheet of
File:	Sheet3.SchDoc	Drawn By: